



ETICEE

Industrial Plug-In Equipment

Distribution Boxes EDS **1108**

Industrial Plug-In Equipment **1114**

f @ in v
/etigroup

ETI
SWITCH TO
A SAFE FUTURE

ETICEE Distribution boxes EDS

Degree of protection - IP 44, IP 54
 Nominal current 16 A, 32 A / 5P
 Nominal voltage 250 V
 Mechanical resistance of boxes IK 07, IK 09, IK 10
 Products do not contain substances banned under the RoHS directive.

Ordering:

- 1 - type
- 2 - number of modules
- 3 - 2 x schuko version / 2 x 5 poles
- 4 - Nominal current 16A, 32A

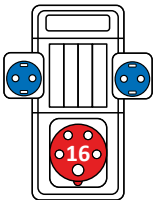


Technical data

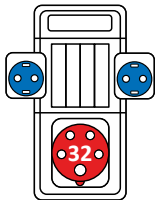
Degree of protection	IP 44, IP 54
Nominal current	16 A, 32 A / 5P
Nominal voltage	250 V
Products do not contain substances banned under Rohs directive	

EDS 4 mini IP44

Type	Code No.	Sockets applied			Circuit breakers			IP degree of protection	kg	Box
		16A/5P	32A/5P	Schuko 250V	C16/1	C16/3	C32/3			
EDS4m 2-2/1-5 16	004483110	1		2	1	1		44	0,4	1
EDS4m 2-2/1-5 32	004483111		1	2	1		1	44	0,4	1



EDS4m 2-2/1-5 16



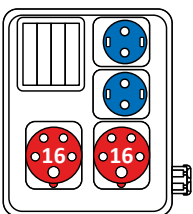
EDS4m 2-2/1-5 32



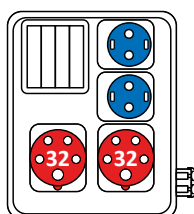
EDS 4 IP44

Type	Code No.	Sockets applied			Circuit breakers			IP degree of protection	kg	Box
		16A/5P	32A/5P	Schuko 250V	C16/1	C16/3	C32/3			
EDS4 2-2/2-5 16	004483100	2		2	1	1		44	0,5	1
EDS4 2-2/2-5 32	004483101		2	2	1		1	44	0,5	1
EDS4 2-2/2-5 16/32	004483102	1	1*	2	1	1		44	0,5	1

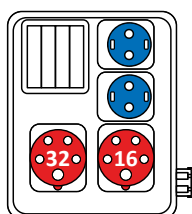
*Socket 32A/5P - protected with 16A MCB!



EDS4 2-2/2-5 16



EDS4 2-2/2-5 32



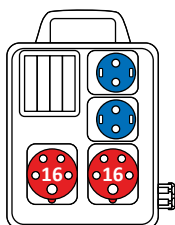
EDS4 2-2/2-5 16/32



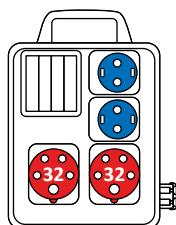
EDS 4 H with handle IP44

Type	Code No.	Sockets applied			Circuit breakers			IP degree of protection	kg	Box
		16A/5P	32A/5P	Schuko 250V	C16/1	C16/3	C32/3			
EDS4H 2-2/2-5 16	004483120	2		2	1	1		44	0,5	1
EDS4H 2-2/2-5 32	004483121		2	2	1		1	44	0,5	1
EDS4H 2-2/2-5 16/32	004483122	1	1*	2	1	1		44	0,5	1

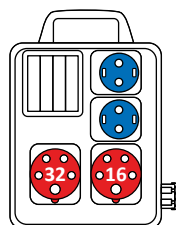
*Socket 32A/5P - protected with 16A MCB!



EDS4H 2-2/2-5 16



EDS4H 2-2/2-5 32

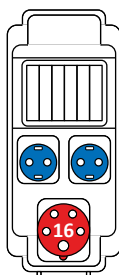


EDS4H 2-2/2-5 16/32

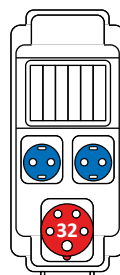


EDS 5 IP54

Type	Code No.	Sockets applied			Circuit breakers			IP degree of protection	kg	Box
		16A/5P	32A/5P	Schuko 250V	C16/1	C16/3	C32/3			
EDSS 2-2/1-5 16	004483150	1		2	2	1		54	0,7	1
EDSS 2-2/1-5 32	004483151		1	2	2		1	54	0,7	1



EDSS 2-2/1-5 16



EDSS 2-2/1-5 32



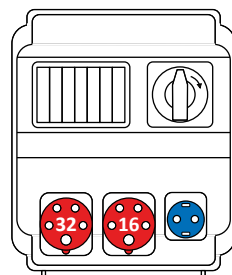
EDS 7 IP54

Type	Code No.	Sockets applied			Circuit breakers			IP degree of protection	kg	Box
		16A/5P	32A/5P	Schuko 250V	C16/1	C16/3	C32/3			
EDS7 1-2/2-5 16/32	004483200	1	1	1	1	1	1	54	0,9	1

With cam switch

Technical data - cam switches

Current	40A, 50/60Hz		
Rated insulation voltage Ui	690V		
Rated operational currents Ie	AC-22A	230V	32A
		400V	
	DC-21A	24V	32A
		110V	
Operational power in AC 23	230V	7,5kW	
	400V	13kW	
Standards	EN60947-3		



EDS7 1-2/2-5 16/32

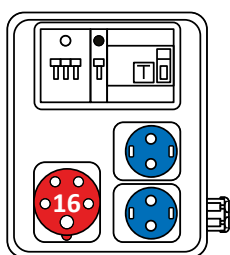


EDS 8 IP44

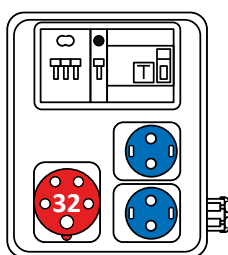
Type	Code No.	Sockets applied			Circuit breakers			RCD 3 phase	IP degree of protection	kg	Box
		16A/5P	32A/5P	Schuko 250V	C16/1	C16/3	C32/3				
EDS8 2-2/1-5 16*	004483250	1		2	1	1		44	1	1	
EDS8 2-2/1-5 32*	004483251		1	2	1		1	44	1	1	
EDS8 6-2/0-5 16*	004483252			6	6			44	1	1	
EDS8 RCD 2-2/1-5 16**	004483253	1		2	1	1	1	44	1	1	
EDS8 RCD 2-2/1-5 32**	004483254		1	2	1		1	44	1	1	
EDS8 RCD 3-2/0-0 16**	004483255			6	3		1	44	1	1	

*with switch

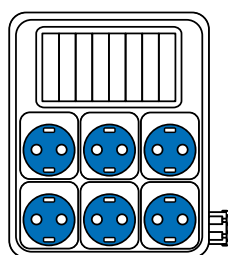
**with RCD



EDS8 RCD 2-2/1-5 16



EDS8 RCD 2-2/1-5 32



EDS8 6-2/0-5 16

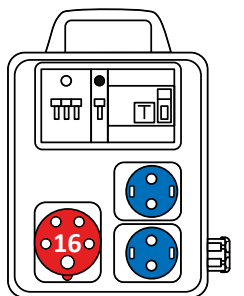


EDS 8H with handle IP44

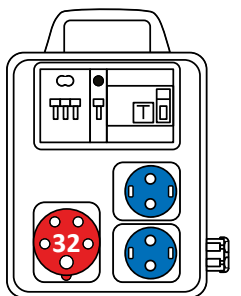
Type	Code No.	Sockets applied			Circuit breakers			RCD 3 phase	IP degree of protection	kg	Box
		16A/5P	32A/5P	Schuko 250V	C16/1	C16/3	C32/3				
EDS8H 2-2/1-5 16*	004483280	1		2	1	1		44	1,2	1	
EDS8H 2-2/1-5 32*	004483281		1	2	1		1	44	1,2	1	
EDS8H 6-2/0-5 16*	004483282			6	6			44	1,2	1	
EDS8H RCD 2-2/1-5 16**	004483283	1		2	1	1	1	44	1,2	1	
EDS8H RCD 2-2/1-5 32**	004483284		1	2	1		1	44	1,2	1	
EDS8H RCD 6-2/0-5 16**	004483285			6	3		1	44	1,2	1	

*with switch

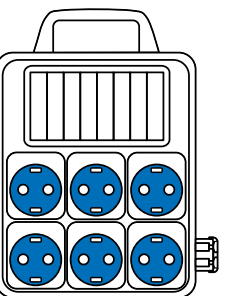
**with RCD



EDS8H RCD 2-2/1-5 16



EDS8H RCD 2-2/1-5 32



EDS8H 6-2/0-5 16

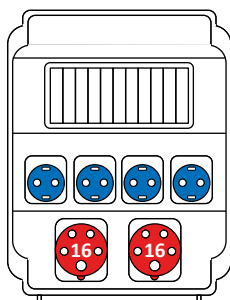


EDS 11 IP54

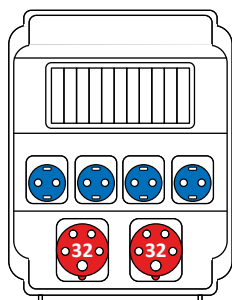
Type	Code No.	Sockets applied			Circuit breakers			RCD 3 phase	IP degree of protection	kg	Box
		16A/5P	32A/5P	Schuko 250V	C16/1	C16/3	C32/3				
EDS11 4-2/2-5 16*	004483300	2		4	4	2		54	2	1	
EDS11 4-2/2-5 32*	004483301		2	4	4		2	54	2	1	
EDS11 4-2/2-5 16/32*	004483302	1	1	4	4	1	1	54	2	1	
EDS11 0-2/4-5 16*	004483303	4				3		54	2	1	
EDS11 0-2/4-5 32*	004483304		4				3	54	2	1	
EDS11 0-2/4-5 16/32*	004483305	2	2			1	2	54	2	1	
EDS11 2-2/3-5 16/32	004483306	2	1	2	2	2	1	54	2	1	
EDS11 2-2/3-5 32/16	004483307	1	2	2	2	1	2	54	2	1	
EDS11 7-2/0-5 16*	004483308			7	7			54	2	1	
EDS11 RCD 4-2/2-5 16**	004483309	2		4	4	1	1	54	2	1	
EDS11 RCD 4-2/2-5 32**	004483310		2	4	4		1	54	2	1	
EDS11 RCD 0-2/3-5 16**	004483311	4				2	1	54	2	1	
EDS11 RCD 0-2/3-5 32**	004483312		4				2	54	2	1	
EDS11 RCD 0-2/3-5 16/32**	004483313	2	2			1	1	54	2	1	
EDS11 RCD 2-2/3-5 16/32**	004483314	2	1	2	1	1	1	54	2	1	
EDS11 RCD 2-2/3-5 32/16**	004483315	1	2	2	1	1	1	54	2	1	
EDS11 RCD 7-2/0-5 16**	004483316			7	7		1	54	2	1	

*with switch

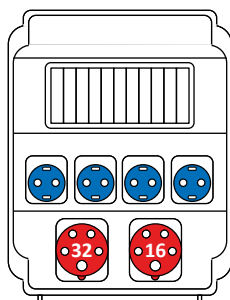
**with RCD



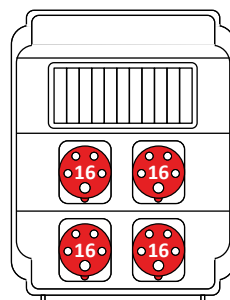
EDS11 4-2/2-5 16



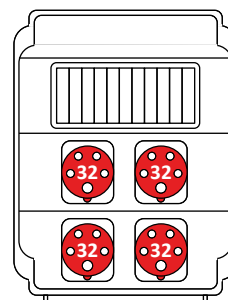
EDS11 4-2/2-5 32



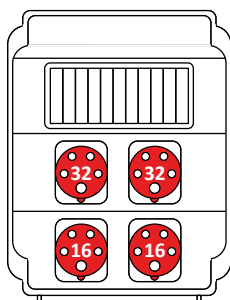
EDS11 4-2/2-5 16/32



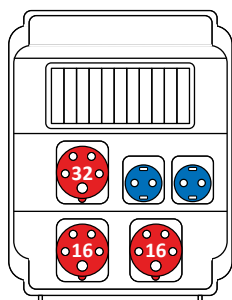
EDS11 0-2/4-5 16



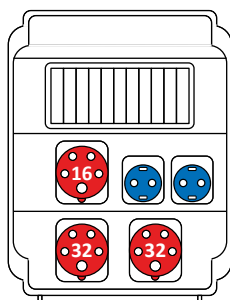
EDS11 0-2/4-5 32



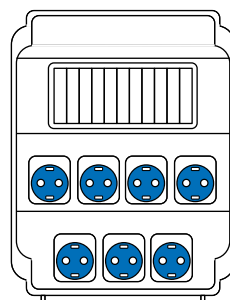
EDS11 0-2/4-5 16/32



EDS11 2-2/3-5 16/32



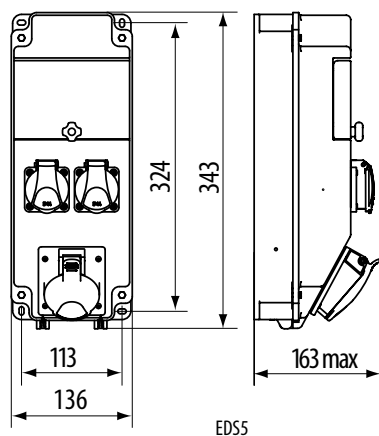
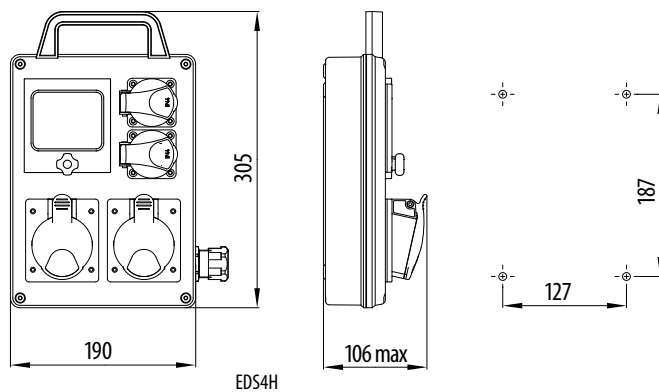
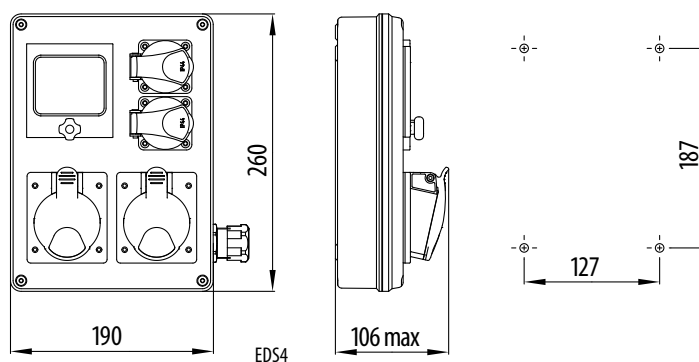
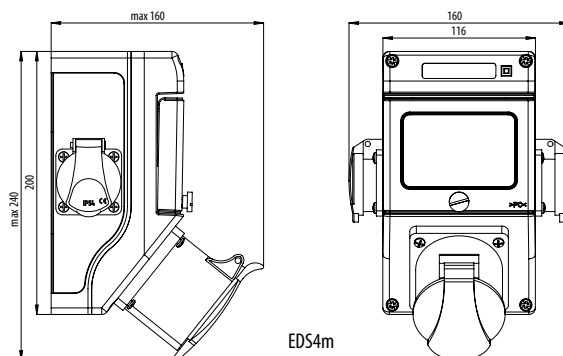
EDS11 2-2/3-5 32/16

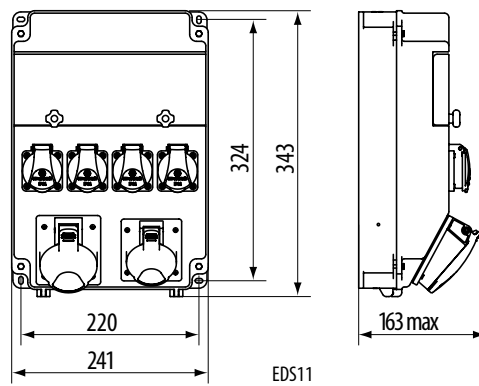
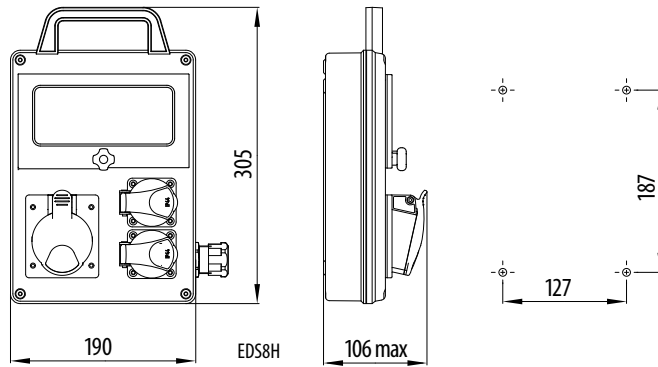
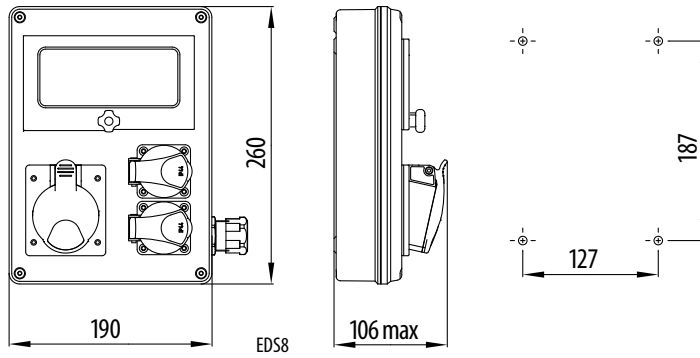
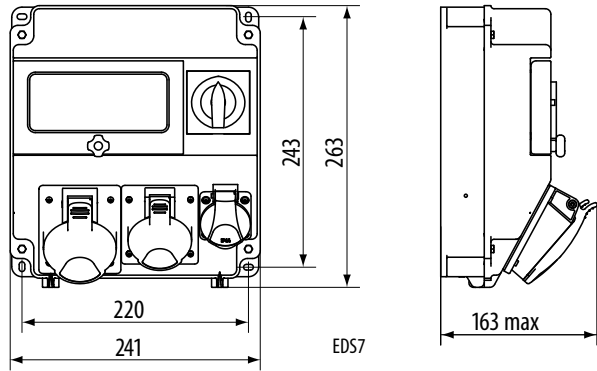


EDS11 7-2/0-5 16



Dimensions





ETICEE Industrial Plug-In Equipment

Application - Our industrial plugs and sockets have been designed to connect electrical devices and consumers to low voltage in a broad spectrum of human activities. They are frequently applied in civil engineering, electric assembly sector, engineering industry, chemical and cosmetic industry, pharmaceutical industry and health service, agriculture, food industry and textile industry, as well as in cinemas, theatres, sports facilities, holiday resorts, etc.

Benefits:

- // reliable and safe
- // ambient temperature -25 °C to +40 °C
- // high temperature tolerance up to 125 for "live" parts
- // the right colors with the standards

Technical data

Rated voltage Un	230V, 400V
Rated frequency fn	50 - 60Hz
Rated current In	16, 32, 63, 125 A
Ambient temperature	-25°C ... +40°C
Standards	IEC 60309 – 1, 2

IP44 series

Connecting sockets IP44

Type	Code No.	Description	kg	
ES 1632	004482000	16A, 230V, 2P+PE	0,17	12
ES 1643	004482001	16A, 400V, 3P+PE	0,18	12
ES 1653	004482002	16A, 400V, 3P+N+PE	0,20	12
ES 3232	004482003	32A, 230V, 2P+PE	0,24	10
ES 3243	004482004	32A, 400V, 3P+PE	0,29	9
ES 3253	004482005	32A, 400V, 3P+N+PE	0,31	9



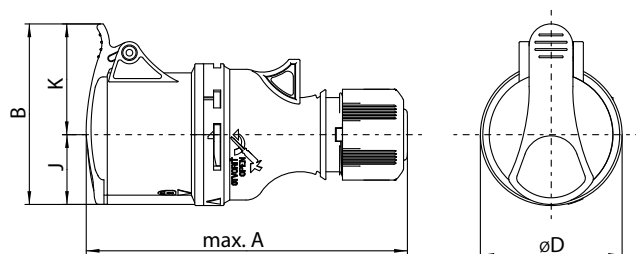
ES 1643



ES 1632

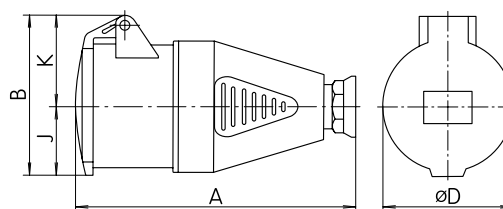
Connecting sockets IP44

Type/(mm)	A	B	øD	J	K
ES1632	145	79	64	29	50
ES 1643	145	81,5	56	31,5	50
ES 1653	145	89	64	35	54
ES 3243	175,5	96	65	38	58
ES 3253	179	103	73	41	62




Connecting sockets IP44

Type/(mm)	A	B	øD	J	K	Pg
ES 3232	165	93	72	42	51	21



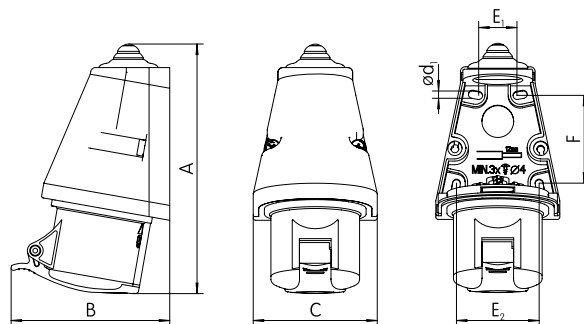
Wall sockets IP44

Type	Code No.	Description	kg	
EZ 1632	004482034	16A, 230V, 2P+PE	0,19	9
EZ 1643	004482035	16A, 400V, 3P+PE	0,21	9
EZ 1653	004482036	16A, 400V, 3P+N+PE	0,22	9
EZ 3232	004482037	32A, 230V, 2P+PE	0,26	12
EZ 3243	004482038	32A, 400V, 3P+PE	0,30	6
EZ 3253	004482039	32A, 400V, 3P+N+PE	0,35	6



Wall sockets IP44

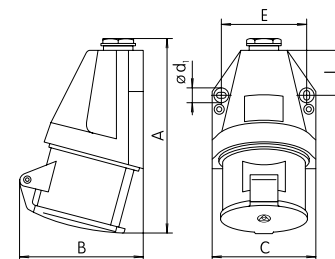
Type/(mm)	A	B	C	ød1	E1	E2	F
EZ 1632	157	90	78	4	30	53	58
EZ 1643	157	99	78	4	30	53	58
EZ 1653	157	104	78	4	30	53	58
EZ 3243	179	118	88	4	35	61	60
EZ 3253	179	121	88	4	35	61	60




Wall sockets IP44

Type/(mm)	A	B	C	ød1	E	I	Pg	Modification
EZ3232	155	101	82	5,2	67	34	P21	A

Pg



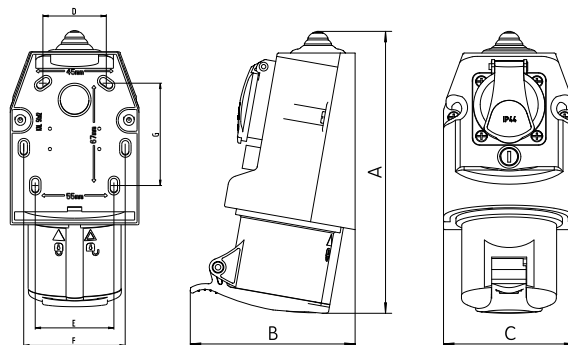
Combined sockets IP44

Type	Code No.	Description	kg	
EZCZ-S 1643	004482050	16A, 400V/230V, 3P+PE plus EE 16S Schuko IP44	0,34	6
EZCZ-S 1653	004482051	16A, 400V/230V, 3P+N+PE plus EE 16S Schuko IP44	0,36	6
EZCZ-S 3243	004482052	32A, 400V/230V, 3P+PE plus EE 16S Schuko IP44	0,42	4
EZCZ-S 3253	004482053	32A, 400V/230V, 3P+N+PE plus EE 16S Schuko IP44	0,45	4




Combined sockets IP44

Type/ (mm)	A	B	C	D	E	F	G
EZCZ (EZCZ-S) 16xx	182	113	90	45	55	71	67
EZCZ (EZCZ-S) 32xx	193	118	90	45	55	71	67



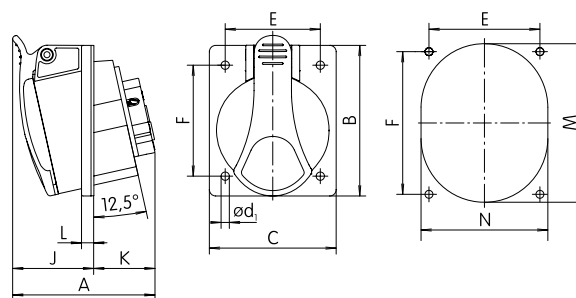
Built-in sockets IP54

Type	Code No.	Description	kg	
EE 1632	004482076	16A, 230V, 2P+PE	0,12	12
EE 1643	004482077	16A, 400V, 3P+PE	0,12	12
EE 1653	004482078	16A, 400V, 3P+N+PE	0,14	12
EE 3232	004482079	32A, 230V, 2P+PE	0,18	12
EE 3243	004482080	32A, 400V, 3P+PE	0,19	12
EE 3253	004482081	32A, 400V, 3P+N+PE	0,21	12



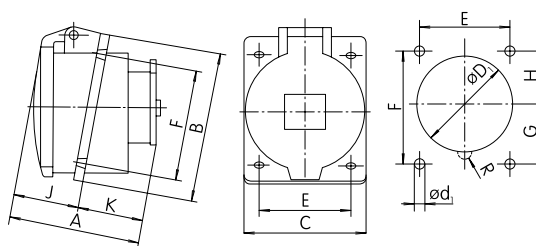
Built-in sockets IP54

Type \ (mm)	A	B	C	ød1	J	E	F	K	L	M	N
EE 1643	73	85	75	5,2	42	60	60	31	7	66	58
EE 1653	75	85	75	5,2	43	60	60	32	7	72	64
EE 3243	90	95	80	5,2	52	60	70	38	8	78	68
EE 3253	92	95	80	5,2	53	60	70	39	8	84	70
EZ 3253	179	121	4	35	4	35	88	4	35	61	60




Built-in sockets IP54

Type \ (mm)	A	B	C	øD1	ød1	E	F	G	H	J	K
EE 1632	61	85	75	56	5,5	60	60	30	30	32	29
EE 3232	84	95	80	68	5,5	60	70	38	32	42	42



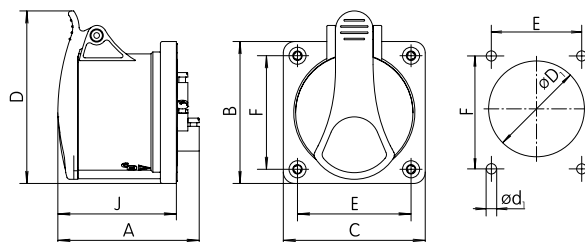
Built-in sockets IP54, STRAIGHT

Type	Code No.	Description	kg	
EER 1632	004482128	16A, 230V, 2P+PE	0,13	6
EER 1643	004482092	16A, 400V, 3P+PE	0,15	6
EER 1653	004482093	16A, 400V, 3P+N+PE	0,16	6
EER 3243	004482094	32A, 400V, 3P+PE	0,21	12
EER 3253	004482095	32A, 400V, 3P+N+PE	0,23	12



Built-in sockets IP54, STRAIGHT

Type(mm)	A	B	C	øD1	ød1	D	E	F	J
EER 1632	76	75	75	57	4,2	88	60	60	61
EER 1643	76	75	75	57	4,2	88	60	60	61
EER 1653	77	75	75	57	4,2	91	60	60	63
EER 3243	91	75	75	64	4,2	96	60	60	71
EER 3253	93	75	75	64	4,2	103	60	60	75

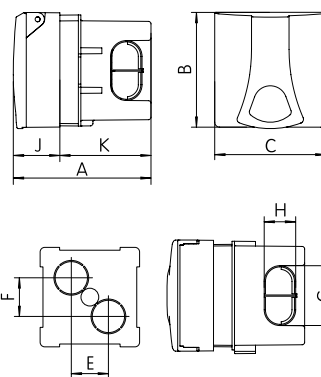


Flush mounted boxes with socket IP44

Type	Code No.	Description	kg	Box
EZB 16S	004482097	16A, 250V, (Schuko)	0,18	8
EZB 1643	004482098	16A, 400V	0,28	8
EZB 1653	004482099	16A, 400V	0,28	8
EZB 3243	004482100	32A, 400V	0,33	8
EZB 3253	004482101	32A, 400V	0,34	8



EZB 16



Flush mounted boxes with socket IP44

Type \ (mm)	A	B	C	E	F	G	H	J	K
EZB xxxx	115,5	93	90	30	30	48,5	25,5	37,7	73,8

Surface mounted boxes with socket IP44

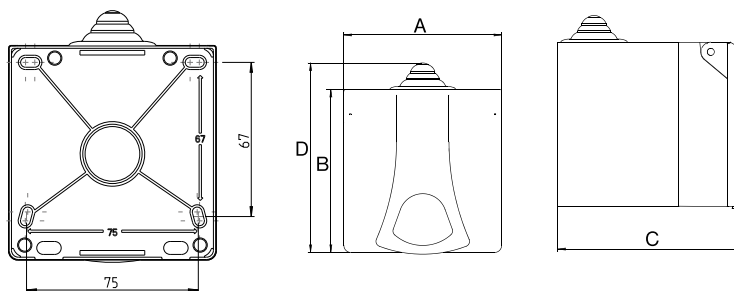
Type	Code No.	Description	kg	Box
EZBN 16S	004482103	16A, 250V, (Schuko)	0,221	8
EZBN 1643	004482104	16A, 400V	0,317	8
EZBN 1653	004482105	16A, 400V	0,328	8
EZBN 3243	004482106	32A, 400V	0,37	8
EZBN 3253	004482107	32A, 400V	0,39	8



EZBN 16

Surface mounted boxes with socket IP44

Type \ (mm)	A	B	C	D
EZBN 16S	90	93	106	108
EZBN 1643	90	93	106	108
EZBN 1653	90	93	106	108
EZBN 3243	90	93	106	108
EZBN 3253	90	93	106	108



Plugs IP44

Type	Code No.	Description	kg	Box
EV 1632	004482016	16A, 230V, 2P+PE	0,128	14
EV 1643	004482017	16A, 400V, 3P+PE	0,145	14
EV 1653	004482018	16A, 400V, 3P+N+PE	0,159	14
EV 3232	004482019	32A, 230V, 2P+PE	0,193	10
EV 3243	004482020	32A, 400V, 3P+PE	0,235	10
EV 3253	004482021	32A, 400V, 3P+N+PE	0,261	10



EV 3253



EV 1632

Reversing plugs IP44

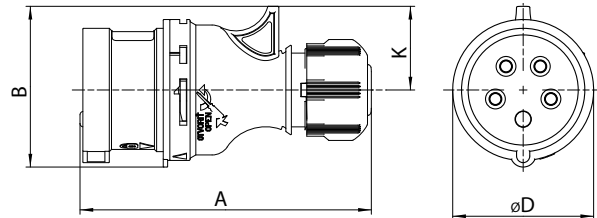
Type	Code No.	Description	kg	Box
EVO 1653	004482022	16A, 400V, 3P+N+PE	0,156	14
EVO 3253	004482023	32A, 400V, 3P+N+PE	0,259	10



EVO 1653

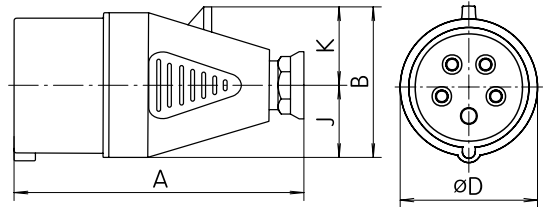
Plugs IP44

Type \ (mm)	A	B	ØD	K
EV 1632	126	64	64	32
EV 1643	132	66	64	34
EV 1653/ EVO 1653	132	73	64	38
EV 3243	162	79	73	41
EV 3253/ EVO 3253	162	86,5	73	45



Plugs IP44

Type \ (mm)	A	B	ØD	J	K	Pg
EV 3232	154	77	72	36	41	P21



Built-in appliance inlets IP44, ANGLED

Type	Code No.	Description	kg	Box
ER 1632	004482129	16A, 230V, 2P+PE	0,122	12
ER 1643	004482130	16A, 400V, 3P+PE	0,144	12
ER 1653	004482131	16A, 400V, 3P+N+PE	0,153	12
ER 3232	004482109	32A, 230V, 2P+PE	0,122	12
ER 3243	004482132	32A, 400V, 3P+PE	0,196	12
ER 3253	004482133	32A, 400V, 3P+N+PE	0,234	12



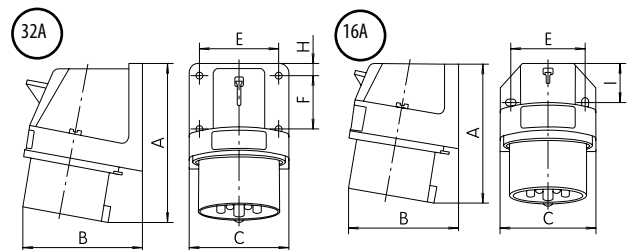
ER 3253



ER 1632

Built-in appliance inlets IP44, ANGLED

Type \ (mm)	A	B	C	E	F	I
ER 1632	91	68	57,2	45	-	20
ER 164x	97	77	65,2	50	-	27,5
ER 1653	98	79	65,2	50	-	27,5
ER 3232	128	88	72,5	58	40	9
ER 324x	128	88	72,3	58	40	9
ER 3253	129	90	72,3	58	40	9



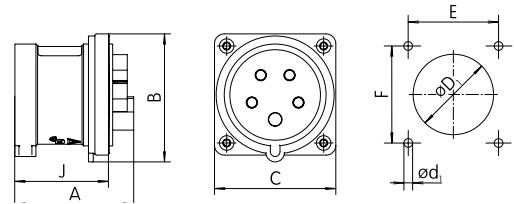
Built-in appliance inlets IP44, STRAIGHT

Type	Code No.	Description	kg	Box
ERR 1632	004482108	16A, 230V, 2P+PE	0,093	6
ERR 1643	004482110	16A, 400V, 3P+PE	0,113	6
ERR 1653	004482111	16A, 400V, 3P+N+PE	0,127	6
ERR 3243	004482112	32A, 400V, 3P+PE	0,156	6
ERR 3253	004482113	32A, 400V, 3P+N+PE	0,179	6
ERRO 1653	004482114	16A, 400V, 3P+N+PE, phase reverse	0,127	6
ERRO 3253	004482115	32A, 400V, 3P+N+PE, phase reverse	0,183	6



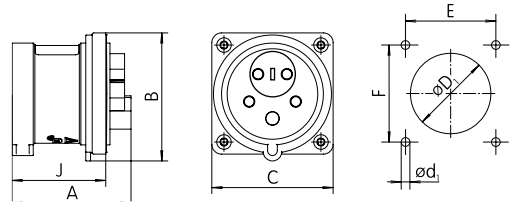
Built-in appliance inlets IP44, STRAIGHT

Type \ (mm)	A	B	C	ød1	øD1	E	F	J
ERR 1632	67	75	75	4,2	57	60	60	48
ERR 1643	66	75	75	4,2	57	60	60	48
ERR 1653	66	75	75	4,2	57	60	60	48
ERR 3243	73	75,3	75	4,2	64	60	60	58
ERR 3253	73	80	75	4,2	64	60	60	58



Built-in appliance inlets IP44, STRAIGHT, phase reverse

Type \ (mm)	A	B	C	ød1	øD1	E	F	J
ERRO 1653	66	75	75	4,2	57	60	60	48
ERRO 3253	73	80	75	4,2	64	60	60	58



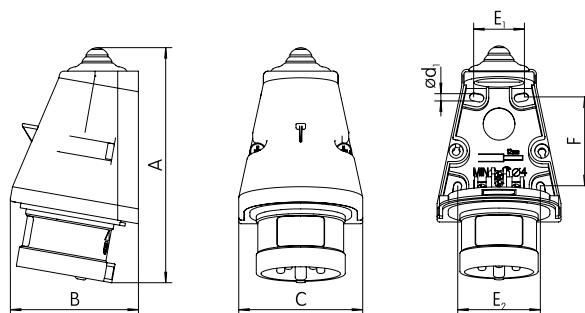
Wall plugs IP44

Type	Code No.	Description	kg	Box
EP 1632	004482058	16A, 230V, 2P+PE	0,156	9
EP 1643	004482059	16A, 400V, 3P+PE	0,17	9
EP 1653	004482060	16A, 400V, 3P+N+PE	0,184	9
EP 3232	004482061	32A, 230V, 2P+PE	0,202	12
EP 3243	004482062	32A, 400V, 3P+PE	0,249	6
EP 3253	004482063	32A, 400V, 3P+N+PE	0,273	6
EPO 1653	004482064	16A, 400V, 3P+N+PE, phase reverse	0,2	9
EPO 3253	004482065	32A, 400V, 3P+N+PE, phase reverse	0,291	6



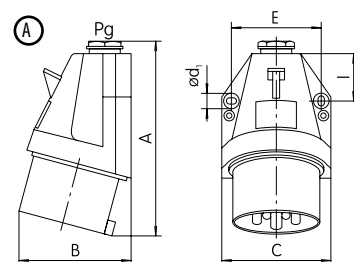
Wall plugs IP44

Type \ (mm)	A	B	C	ød1	E1	E2	F
EP 1632	147	81	78	4	30	53	58
EP 1643	146	81	78	4	30	53	58
EP 1653	146	81	78	4	30	53	58
EP 3243	168	95	88	4	35	61	60
EP 3253	168	95	88	4	35	61	60



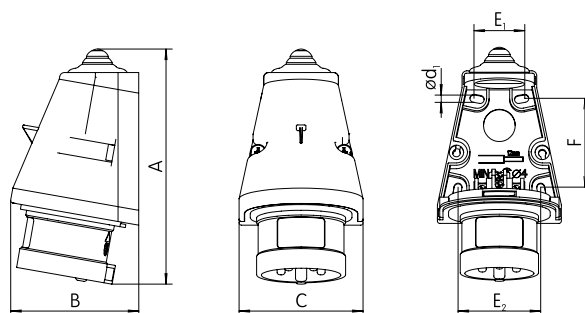
Wall plugs IP44

Type \ (mm)	A	B	C	ød1	E	I	Pg	Modification
EP 3232	147	105	82	5,2	67	34	P21	A



Wall plugs IP44

Type \ (mm)	A	B	C	ød1	E1	E2	F
EPO 1653	146	81	78	4	30	53	58
EPO 3253	168	95	88	4	35	61	60



IP67 series

Connecting sockets IP67

Type	Code No.	Description	kg	Box
ESH 1632	004482006	16A, 230V, 2P+PE	0,178	10
ESH 1643	004482007	16A, 400V, 3P+PE	0,189	10
ESH 1653	004482008	16A, 400V, 3P+N+PE	0,224	10
ESH 3232	004482009	32A, 230V, 2P+PE	0,298	12
ESH 3243	004482010	32A, 400V, 3P+PE	0,285	12
ESH 3253	004482011	32A, 400V, 3P+N+PE	0,324	12
ESH 6343	004482012	63A, 400V, 3P+PE	0,615	10
ESH 6353	004482013	63A, 400V, 3P+N+PE	0,976	2
ESH 12543	004482014	125A, 400V, 3P+PE	1,16	2
ESH 12553	004482015	125A, 400V, 3P+N+PE	1,25	2



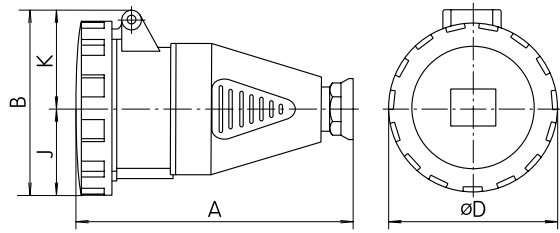
ESH 1643



ESH 12543

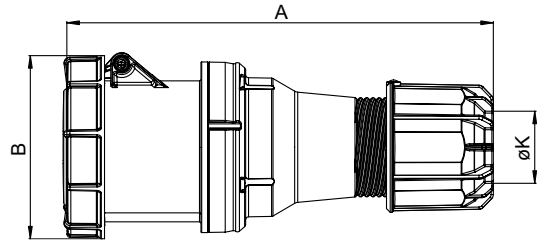
Connecting sockets IP67

Type \ (mm)	A	B	øD	J	K	Pg
ESH 1632	136	78,5	70	35	43,5	16
ESH 1643	142	85,5	78	39	46,5	16
ESH 1653	145	92,5	87	43,5	49	16
ESH 3232	166	101,5	93	46,5	55	21
ESH 3243	166	101,5	93	46,5	55	21
ESH 3253	168	108	100	50	58	21
ESH 6343	224	-	113	196	-	29



Connecting sockets IP67

Type \ (mm)	A	B	øK
ESH 12543	269	114	22,5-50
ESH 12553	269	114	22,5-50



Wall sockets IP67

Type	Code No.	Description	kg	Box
EZH 1632	004482040	16A, 230V, 2P+PE	0,255	9
EZH 1643	004482041	16A, 400V, 3P+PE	0,273	9
EZH 1653	004482042	16A, 400V, 3P+N+PE	0,321	9
EZH 3232	004482043	32A, 230V, 2P+PE	0,418	12
EZH 3243	004482044	32A, 400V, 3P+PE	0,42	12
EZH 3253	004482045	32A, 400V, 3P+N+PE	0,456	12
EZH 6343	004482046	63A, 400V, 3P+PE	0,802	4
EZH 6353	004482047	63A, 400V, 3P+N+PE	1,178	4
EZH 12543	004482048	125A, 400V, 3P+PE	1,9	1
EZH 12553	004482049	125A, 400V, 3P+N+PE	1,95	1



EZH 6353



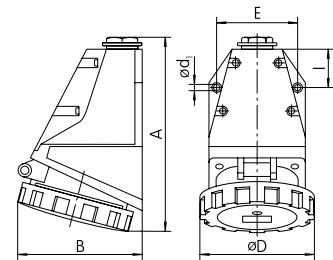
EZH 1632



EZH 12543

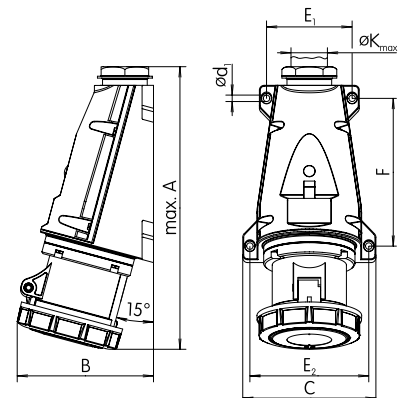
Wall sockets IP67

Type \ (mm)	A	B	D	ød1	E	I	Pg
EZH 1632	146	90	78,5	4,8	65,6	32	P16
EZH 1643	148	92	78,5	4,8	65,6	32	P16
EZH 1653	148	96	87	4,8	65,6	32	P16
EZH 3232	173	111	92,5	5,2	71	35,5	P21
EZH 3243	173	111	92,5	5,2	71	35,5	P21
EZH 3253	175	114	100	5,2	71	35,5	P21
EZH 6343	225	131	132	7	114	90,3	P36



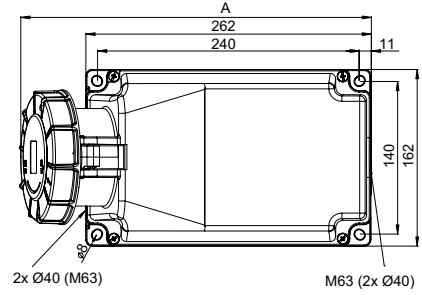
Wall sockets IP67

Type \ (mm)	A	B	C	ød1	E1	E2	F	øK
EZH 6353	300	145	140	6,5	90	125	155	35



Wall sockets IP67

Type \ (mm)	A	B=height
EZH 12543	322	205
EZH12553	322	205



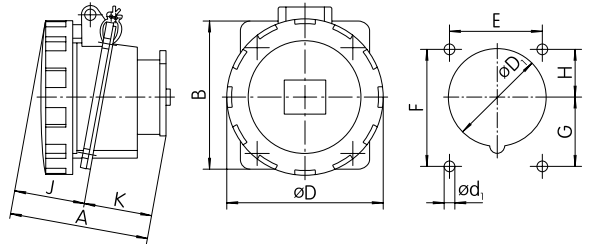
Built-in sockets IP67

Type	Code No.	Description	kg	Box
EEH 1632	004482082	16A, 230V, 2P+PE	0,134	12
EEH 1643	004482083	16A, 400V, 3P+PE	0,152	12
EEH 1653	004482084	16A, 400V, 3P+N+PE	0,176	12
EEH 3232	004482085	32A, 230V, 2P+PE	0,226	12
EEH 3243	004482086	32A, 400V, 3P+PE	0,232	12
EEH 3253	004482087	32A, 400V, 3P+N+PE	0,268	12
EEH 6343	004482088	63A, 400V, 3P+PE	0,54	8
EEH 6353	004482089	63A, 400V, 3P+N+PE	0,638	8
EEH 12543	004482090	125A, 400V, 3P+PE	0,89	2
EEH 12553	004482091	125A, 400V, 3P+N+PE	0,99	2



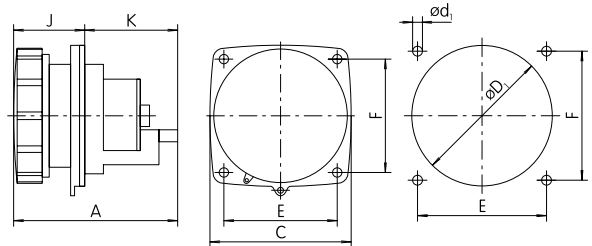
Built-in sockets IP67

Type \ (mm)	A	B	øD	øD1	ød1	E	F	G	H	J	K
EEH 1632	78	85	75	56	5,5	60	60	30	30	39	39
EEH 1643	80	85	78	62	5,5	60	60	31	29	41	39
EEH 1653	81	85	87	65	5,5	60	60	31	29	42	39
EEH 3232	89	95	92,5	68	5,5	60	70	38	32	47	42
EEH 3243	89	95	92,5	68	5,5	60	70	38	32	47	42
EEH 3253	91	95	100	74	5,5	60	70	36	34	49	42



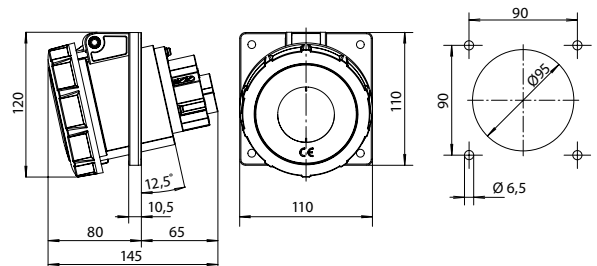
Built-in sockets IP67

Type \ (mm)	A	C	ød1	øD1	E	F	J	K
EEH 634x	131	111	6,8	93	90	90	52	79



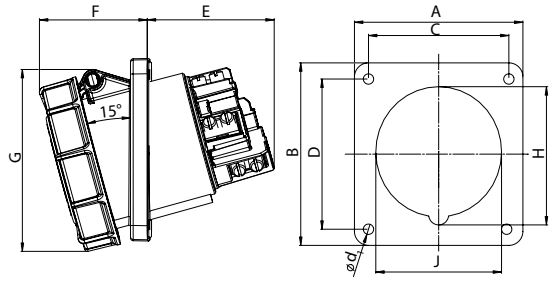
Built-in sockets IP67

Type
EEH 6353



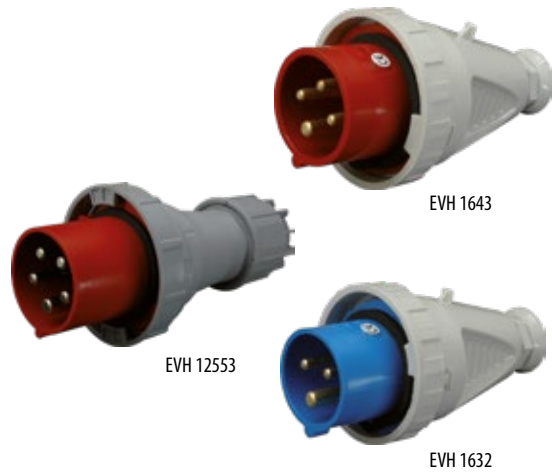
Built-in sockets IP67

Type \ (mm)	A	B	C	D	E	F	G	H	J	ød1
EEH 12543-p	114	114	90	90	92	77	130	102	90	7
EEH 12553-p	114	114	90	90	92	77	130	102	90	7



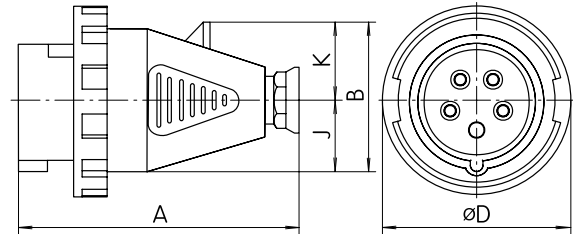
Plugs IP67

Type	Code No.	Description	kg	Box
EVH 1632	004482024	16A, 230V, 2P+PE	0,129	12
EVH 1643	004482025	16A, 400V, 3P+PE	0,175	12
EVH 1653	004482026	16A, 400V, 3P+N+PE	0,198	12
EVH 3232	004482027	32A, 230V, 2P+PE	0,238	12
EVH 3243	004482028	32A, 400V, 3P+PE	0,243	12
EVH 3253	004482029	32A, 400V, 3P+N+PE	0,275	12
EVH 6343	004482030	63A, 400V, 3P+PE	0,623	8
EVH 6353	004482031	63A, 400V, 3P+N+PE	0,795	2
EVH 12543	004482032	125A, 400V, 3P+PE	1,05	2
EVH 12553	004482033	125A, 400V, 3P+N+PE	1,16	2



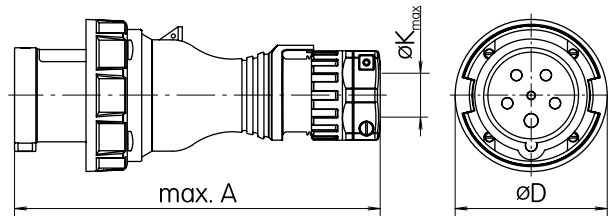
Plugs IP67

Type \ (mm)	A	øD	J	K	Pg
EVH 1632	123	70	28,5	31	P16
EVH 1643	129	78	32,5	35	P16
EVH 1653	129	87	32,5	39	P16
EVH 3232	154	92,5	36	41	P21
EVH 3243	154	92,5	36	41	P21
EVH 3253	154	100	36	46	P21
EVH 6343	224	113	195	-	P29



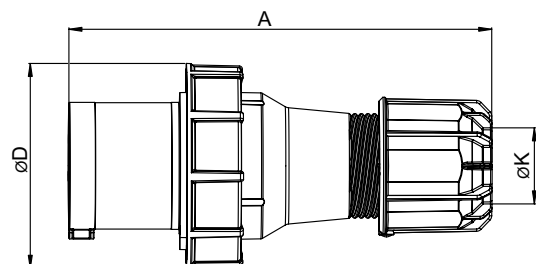
Plugs IP67

Type \ (mm)	A	øD	øK
EVH 6353	265	110	32



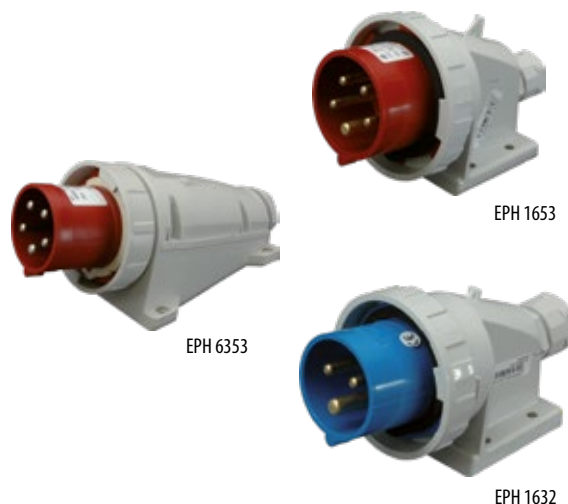
Plugs IP67

Type \ (mm)	A	øD	øK
EVH 12543	270	131	22,5-50
EVH 12553	270	131	22,5-50



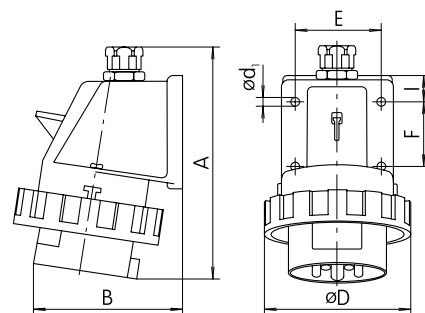
Wall plugs IP67

Type	Code No.	Description	kg	Box
EPH 1632	004482066	16A, 230V, 2P+PE	0,16	10
EPH 1643	004482067	16A, 400V, 3P+PE	0,198	10
EPH 1653	004482068	16A, 400V, 3P+N+PE	0,226	6
EPH 3232	004482069	32A, 230V, 2P+PE	0,28	12
EPH 3243	004482070	32A, 400V, 3P+PE	0,274	12
EPH 3253	004482071	32A, 400V, 3P+N+PE	0,307	3
EPH 6343	004482072	63A, 400V, 3P+PE	0,848	8
EPH 6353	004482073	63A, 400V, 3P+N+PE	1,016	4
EPH 12543	004482074	125A, 400V, 3P+PE	1,8	1
EPH 12553	004482075	125A, 400V, 3P+N+PE	1,84	1



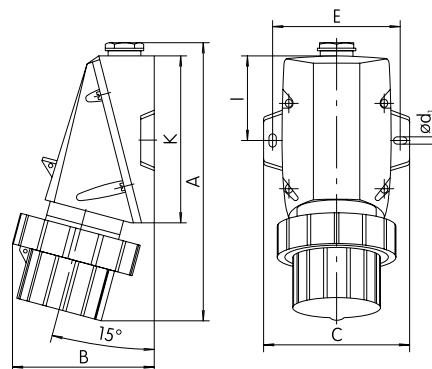
Wall plugs IP67

Type \ (mm)	A	B	ød1	øD	E	F	I	Pg
EPH 1632	140	74	4,8	70	45	30	15	P16
EPH 1643	143	92	5,2	78	50	30	18	P16
EPH 1653	143	98	5,2	87	50	30	18	P16
EPH 3243	165	108	5,2	92,5	58	40	20	P21
EPH 3253	165	113	5,2	100	58	40	20	P21



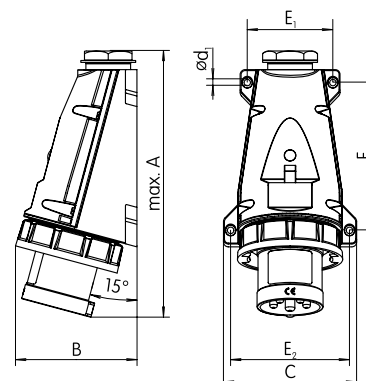
Wall plugs IP67

Type \ (mm)	A	B	C	D1	E	I	K	Pg
EPH 6343	260	122	103	7	91,5	72,2	144,5	P29
EPH 6345	260	122	103	7	91,5	72,2	144,5	P29



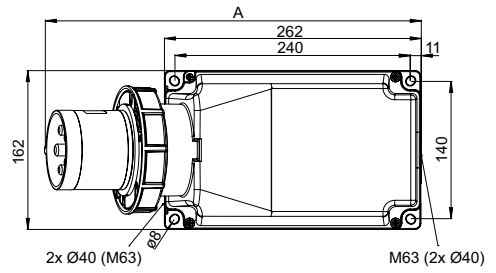
Wall plugs IP67

Type \ (mm)	A	B	C	ød1	E1	E2	F	K
EPH 6353	280	130	140	6,5	90	125	155	35



Wall plugs IP67

Type \ (mm)	A	B=height
EPH 12543	387	209
EPH 12553	387	209



Accessories

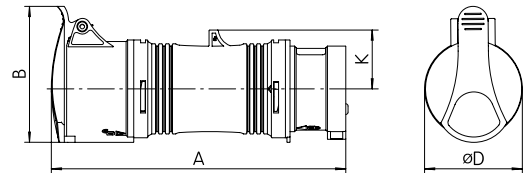
Adapters

Type	Code No.	Description	kg	Box
EA-1653/43	004482116	5p/4p	0,284	9
EA-3253/43	004482117	5p/4p	0,457	6
EA-1653/43-0	004482118	5p/4p, phase reverse	0,284	9
EA-3253/43-0	004482119	5p/4p, phase reverse	0,47	6
EA 16-32/4	004482120	4p	0,343	8
EA 16-32/5	004482121	5p	0,386	8
EA 16-32/5-0	004482122	16A/32A 5p, phase reverse	0,386	8



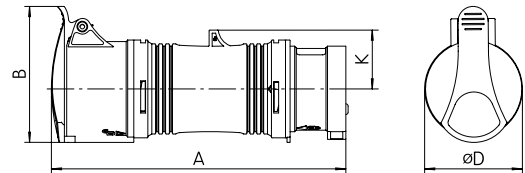
Adapters

Type \ (mm)	A	B	ØD	K
EA 1653/43	180	82	64	39
EA 3253/43	235	96	73	45



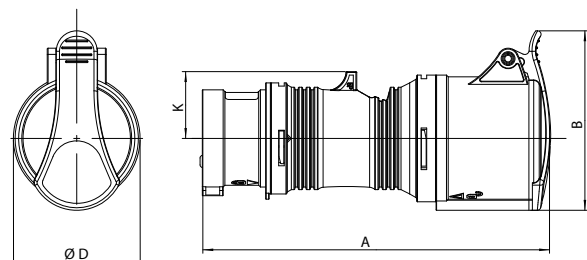
Adapters

Type \ (mm)	A	B	ØD	K
EA 1653/43-0	180	82	64	39
EA 3253/43-0	235	96	73	45



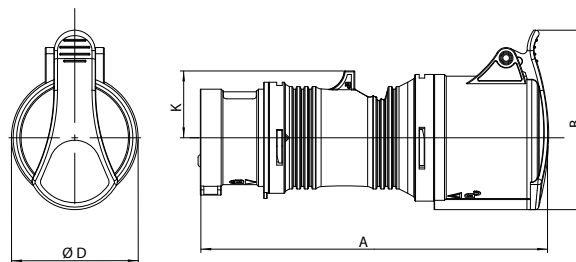
Adapters

Type \ (mm)	A	B	ØD	K
EA 16-32/4	198	96	65	34
EA 16-32/5	200	103	73	37



Adapters

Type \ (mm)	A	B	ØD	K
EA 16-32/5	200	103	73	37



Built-in sockets schuko

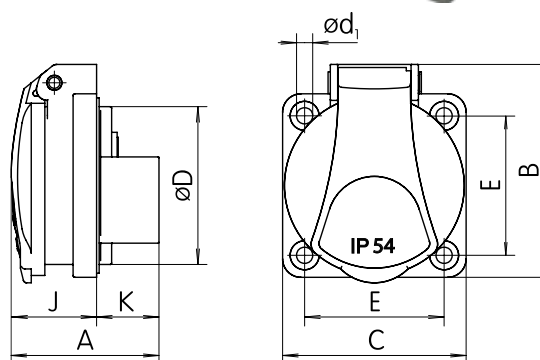
Type	Code No.	Description	kg	Box
EE 16S	004482124	IP54	0,043	12
EEH 16S	004482126	250V/16A IP67	0,079	12



EEH 16S

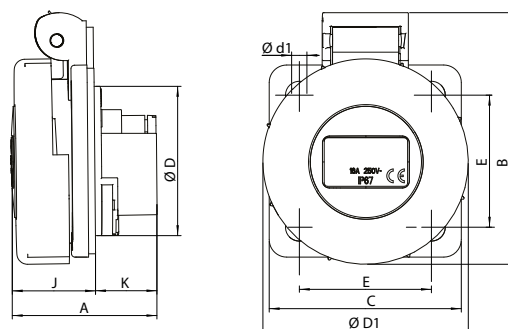
Built-in sockets schuko

Type \ (mm)	A	B	C	ØD	Ød1	E	J	K
EE 16 S	43	59,5	50	43	4,5	38	26	17



Built-in sockets schuko

Type \ (mm)	A	B	C	ØD	Ød1	E	J	K	ØD1
EEH 16 C	42	73	55	43	4,5	38	24	18	60
EEH 16 S	48	73	55	43	4,5	38	24	24	60



Unischuko plug

Type	Code No.	Description	kg	Box
EEVG 16	004482127	IP67	0,12	14



EEVG 16

Unischuko plug IP67

Type
EEVG 16 - Unischuko plug IP67

